

Kidde Fire Systems Component Description



Effective: August 2023
K-85-0617 Rev AA

3-inch Flexible Discharge Hose with DNV Approval for Marine Applications

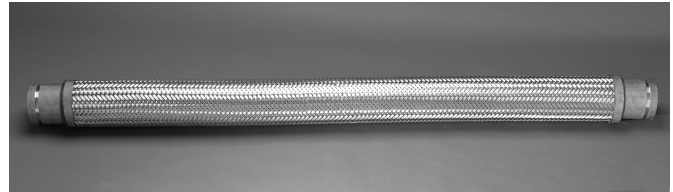
FEATURES

- Stainless Steel Braided
- Grooved Fittings
- For Approvals, see the "COMPATIBILITY" table on page 2.

P/N: 06-237644-001

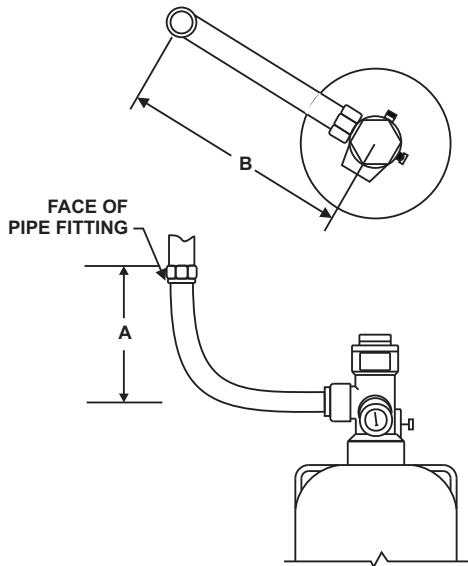
DESCRIPTION

Stainless Steel flexible hose is used to connect the 3-inch valve cylinders to discharge piping. The hose has a grooved fitting at either end to connect to the piping and is DNV approved.



INSTALLATION

The stainless steel flexible braided hose may be installed horizontally or with a 90 degree bend radius as shown in the diagram below.



Dimensions	
A	B
33 in. (838 mm)	36 in. (914 mm)

Note: Dimensions A and B must be maintained in order to obtain a smooth radius in flexible loop. Hose may require adapter to connect to system piping.

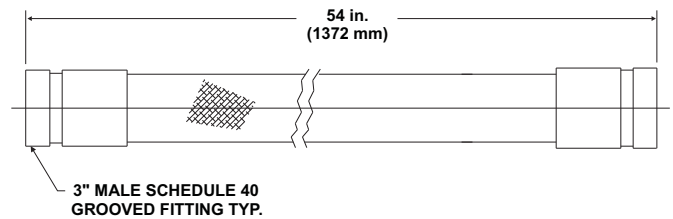
ORDERING INFORMATION

The part number for ordering the 3-inch flexible discharge hose with DNV Approval is 06-237644-001.

SPECIFICATION

Material:	Convuluted hose with stainless steel braid overlay
Working pressure:	500 PSI (34.5 bar)
Proof pressure:	1000 PSI (68.9 bar)
Burst pressure:	2000 PSI (137.9 bar)

DIMENSIONS



COMPATIBILITY

Series
Kidde Fire Systems ECS-500™ System
Kidde Fire Systems ECS-500™ Marine System
Kidde Fire Systems ADS™ for use with Fluoroketone Fire Suppression Agents
Kidde Fire Systems ADS™ Marine for use with Fluoroketone Fire Suppression Agents
Kidde Fire Systems ADS™ with HFC-227ea Agent
Kidde Fire Systems ADS™ Marine with HFC-227ea Agent
Kidde Fire Systems ECS™ 360 for use with Fluoroketone Fire Suppression Agents
Kidde Fire Systems ECS™ 360 Marine for use with Fluoroketone Fire Suppression Agents
Kidde Fire Systems ECS™ 360 with HFC-227ea Agent
Kidde Fire Systems ECS™ 360 Marine with HFC-227ea Agent

Agent	Series	Cylinder Size		
		600/675* lb	900/1010* lb	1100 lb**
Fluoroketone Fire Suppression Agents	ECS-500 System	X	X	X
	ECS 360	X	X	
	ADS	X	X	
HFC-227ea Agent	ECS 360	X	X	
	ADS	X	X	
<p>* 675 and 1010 lb cylinders are only applicable to Kidde Fire Systems ADS™ with HFC-227ea systems. ** 1100 lb. Cylinder is only available for Kidde Fire Systems ECS-500™ System land-based systems.</p>				

EXPORT INFORMATION (USA)

Jurisdiction: EAR
Classification: EAR99

This document contains technical data subject to the EAR.

All trademarks are the property of their respective owners.

This literature is provided for informational purposes only. KIDDE-FENWAL, INC. believes this data to be accurate, but it is published and presented without any guarantee or warranty whatsoever. KIDDE-FENWAL, INC. assumes no responsibility for the product's suitability for a particular application. The fire suppression system design, installation, maintenance, service and troubleshooting must be performed by trained, authorized Kidde Fire Systems distributors for the product to work correctly. If you need more information on this product, or if you have a particular problem or question, contact: KIDDE-FENWAL, INC., Ashland, MA 01721 USA, Telephone: (508) 881-2000.